



ARTECO
INTELLIGENT VIDEO SOLUTIONS



*The Power of Seeing...
Without Watching*

Park Place Senior Living

Park Place is a senior living community composed of 116 independent and 40 assisted residences. The community includes a swimming pool, cafeteria and a social program befitting the senior lifestyle. The center's top concern is the health and well-being of its residents. The center's security goal was to increase resident safety without impeding their lifestyle.



Customer Concerns

- The health and safety of large group of patients at facility.
- Unauthorized personnel in restricted areas.
- Patient falls in common areas of high-risk, assisted-living wing.
- Patient wandering in Restricted Areas or during restricted times.

Arteco Solution

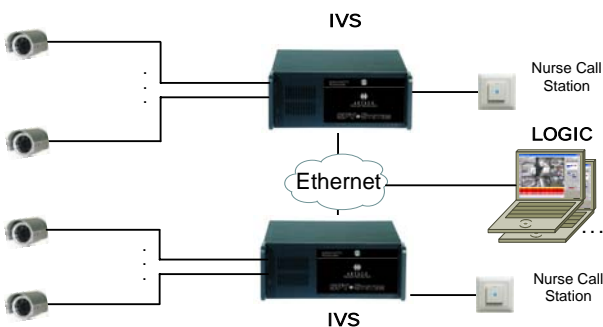
- Violated Area applications detect entry in restricted areas in real-time.
- Real-time alerts notify personnel when important events occur.
- Center staff is alerted if patients fall or stay in a stationary position in assisted living hallways.
- Each person who enters or leaves facility is recorded as a "time-stamped" image.

What they say about us

- "The Arteco IVS stream-lined our video security effort far beyond what we thought was possible with surveillance. Being able to quickly assess events when they occur and take the appropriate action has made our staff more efficient without increasing the amount of resources."

--John Gammon, President
Park Place Senior Living Center

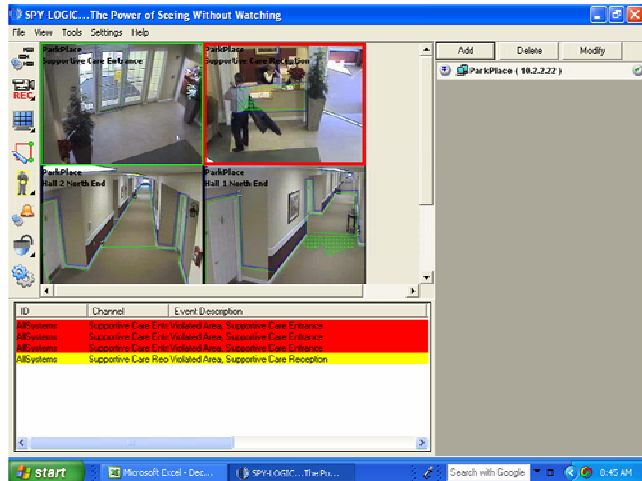
System Diagram



Interior Setting



Active Detection



Real-time Alerts

